

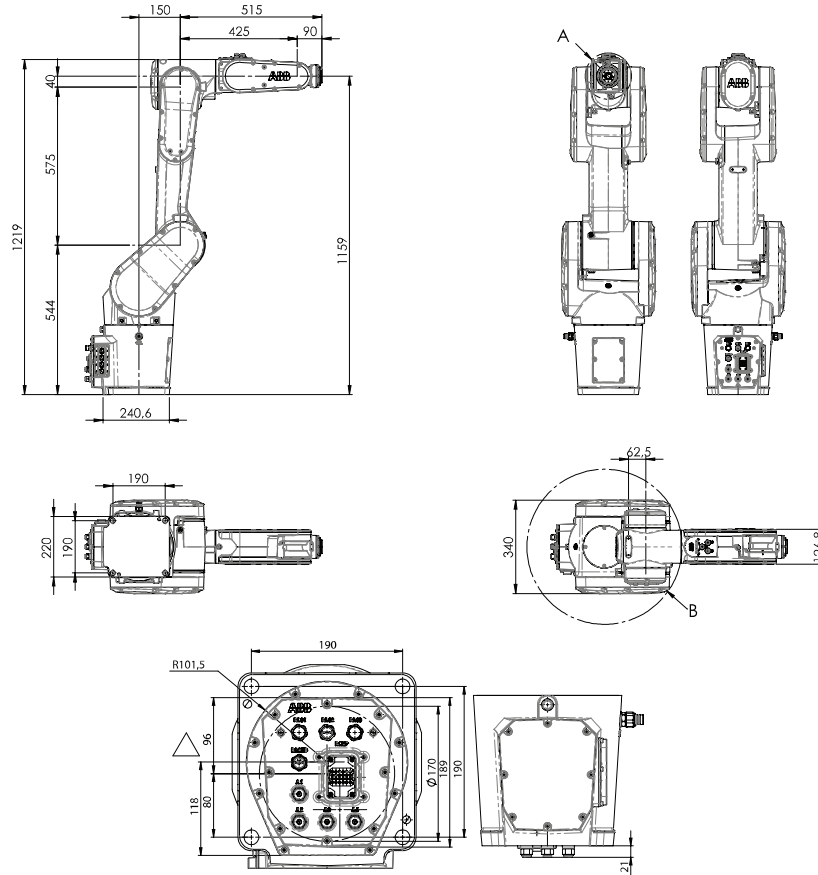
ROBOTICS

Product specification

IRB 1300



Main dimensions of IRB 1300-10/1.15



xx1900001332

Pos	Description
A	Turning radius: R84
B	Turning radius: R282

Continues on next page